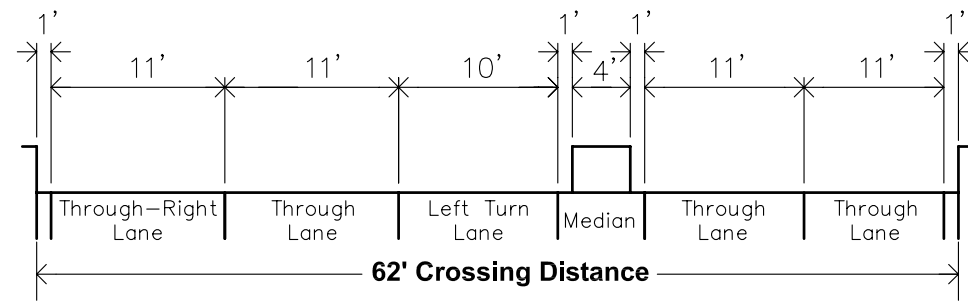


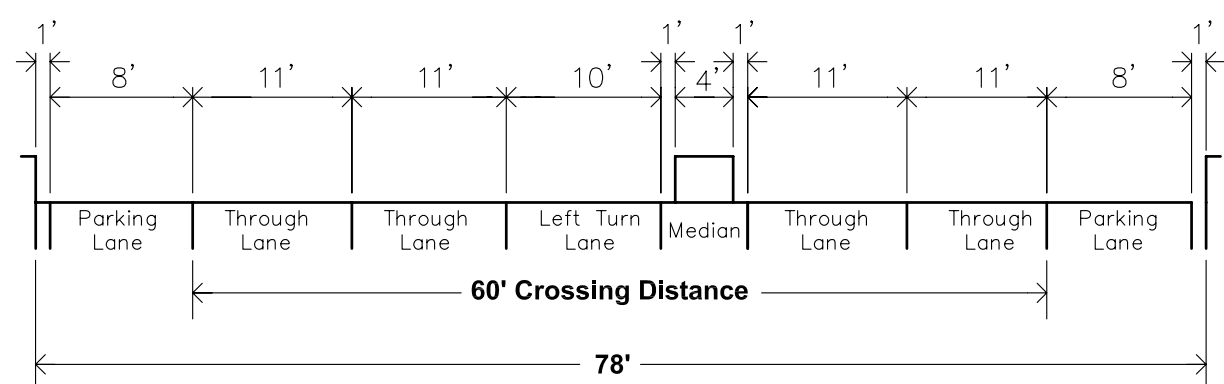
**CROSS SECTIONS**

**Detail A**  
South Dakota Avenue Southbound Approach, N.E.



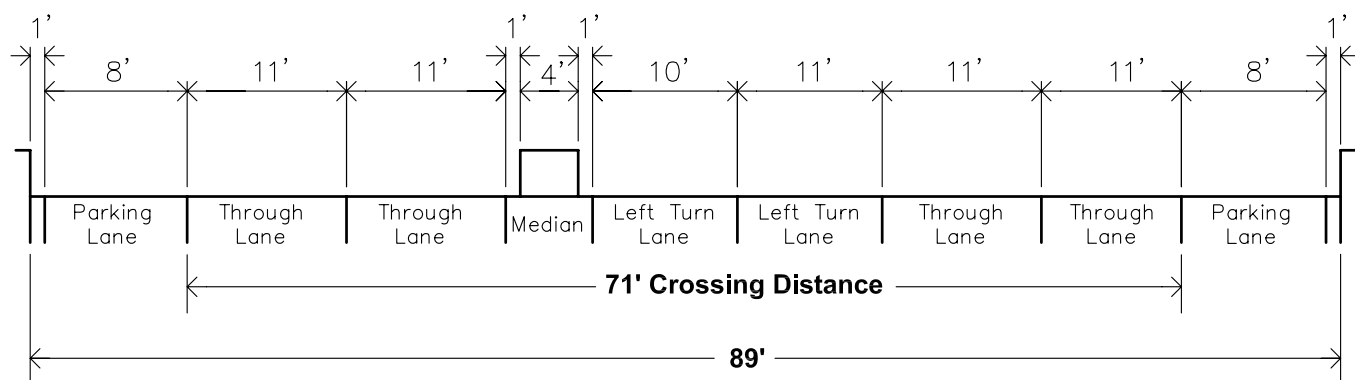
NOT TO SCALE

**Detail B**  
Riggs Road Westbound Approach, N.E.



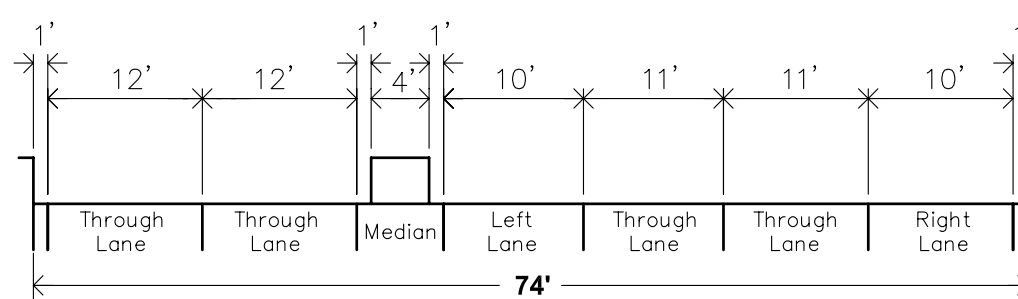
NOT TO SCALE

**Detail C**  
South Dakota Avenue Northbound Approach, N.E.

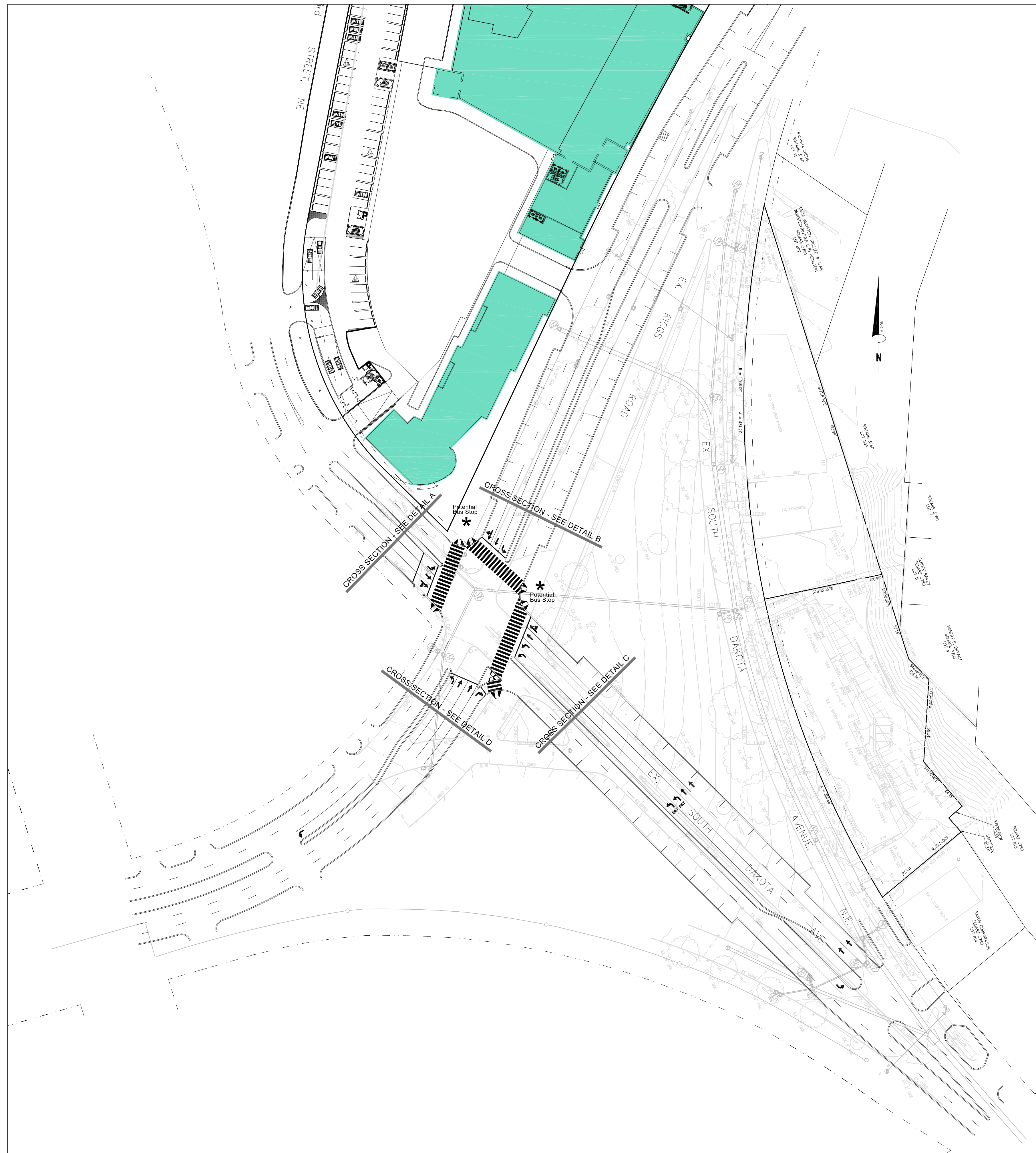


NOT TO SCALE

**Detail D**  
Riggs Road Eastbound Approach, N.E.



NOT TO SCALE



	FIELD CHECKED BY	NA
	DESIGNED BY	W&A
<b>Riggs Road and South Dakota Avenue Intersection Concept Design</b>	DRAWN BY	DAO
	DATE	02/15/2007
	REVISIONS	02/23/2007 02/28/2007
	SCALE	1"=60'
	SHEET OF	1 / 1
	DRAWING NO.	
<p>* Base Plan Provided By JBA</p>		

J:\00 - Riggs Road - Dakota - Frank/Volkert's Intersection - Concept - Modification - 02/15/07\0380 - Intersection - Design - Modification - 02/15/07.dwg