

# BICYCLE PARKING RACK PLACEMENT

## RACK PLACEMENT

### RULES:

#### 5' from:

- Fire hydrant
- Crosswalk

#### 4' from:

- Loading zone
- Bus stop
- Bus shelter
- Bus bench

#### Min. 2', Rec. 3' from:

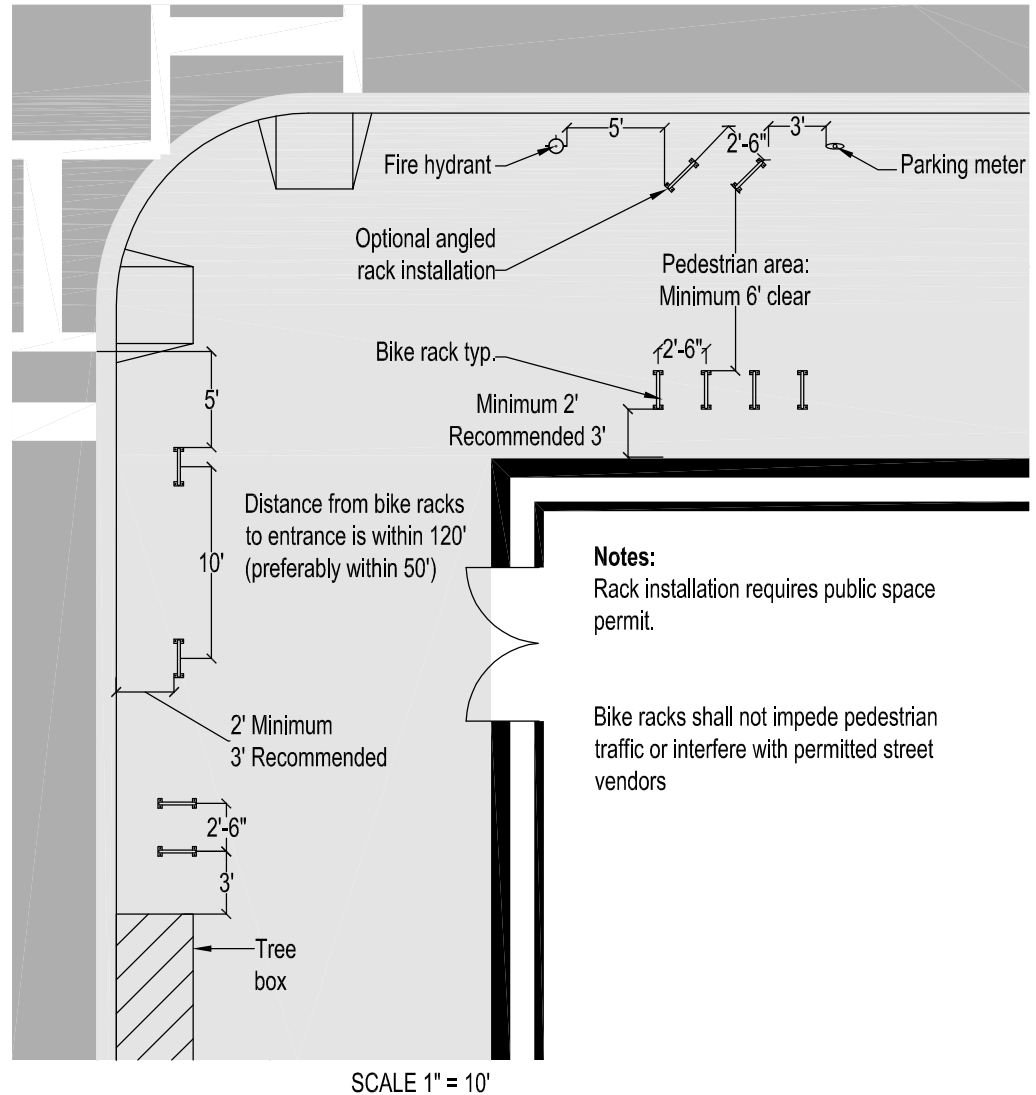
- Curb

#### 3' from:

- Parking meter
- Newspaper rack
- US mailbox
- Light pole
- Sign pole
- Driveway
- Tree space
- Trash can
- Utility meter
- Manhole
- Other street furniture
- Other sidewalk obstructions

### WALL SETBACKS

- For racks set parallel to a wall:  
Min. 24", Rec. 36"
- For racks set perpendicular to a wall:  
Min. 28", Rec. 36"

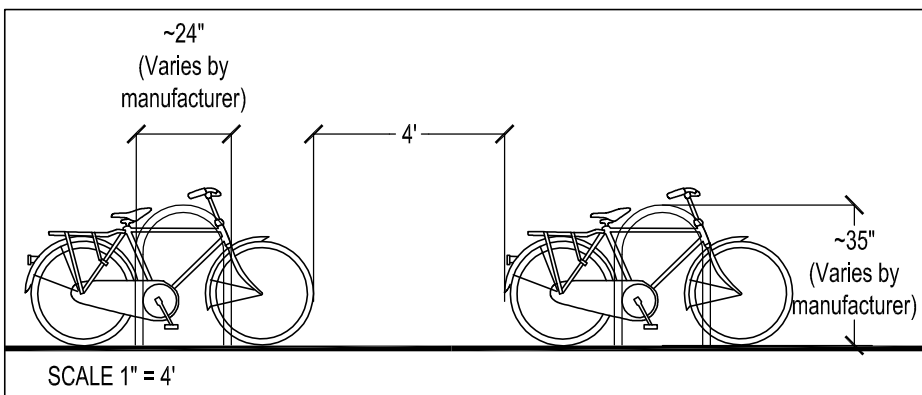


### Notes:

Rack installation requires public space permit.

Bike racks shall not impede pedestrian traffic or interfere with permitted street vendors

## SIDE VIEW



## SIDE BY SIDE RACKS:

